

## ADDENDUM NO. 2

This Addendum shall become and form a part of the drawings and specifications for the project:

INTERIOR RENOVATION OF  
RIVERSIDE DEVELOPMENTAL DISABILITIES  
at  
Miami County Board of Developmental Disabilities  
1625 Troy Sidney Road  
Troy, Ohio  
45373

Prepared for  
Miami County Board of Developmental Disabilities  
1625 Troy Sidney Road  
Troy, Ohio  
45373

December 22, 2017

Prepared by

Ruetschle Architects  
222 Linwood Street  
Dayton, Ohio 45405  
(513) 461-5390

### TO ALL BIDDERS:

This Addendum, including all corrections listed hereinafter, shall become a part of the original contract drawings and specifications and shall be taken into account in preparing the "Proposal" and shall become a part of the Contract.

### TO ALL BIDDERS:

The Architect requests that the Bidder bid the project in strict accordance with the drawings and specifications. Products which are not listed in the Specifications or in this Addendum as approved equals will not be accepted by the Architect. Products and manufacturers not listed in the Specifications or in this Addendum may be bid as Substitutions. The bidder is cautioned that Substitutions may be rejected, if upon later review, said Substitutions are found to be less than standard. Please review Section 01600 Products and Substitutions, especially paragraphs #2 and #4, in the Specifications.

### CHANGES TO THE DRAWINGS

Replace sheet A5.1 with the attached sheet.

END OF ADDENDUM NO.2

STATEMENT BY CONTRACTOR:

Each bidder shall sign the following acknowledgment and include it as an attachment to the proposal for: Interior Renovation of Riverside.

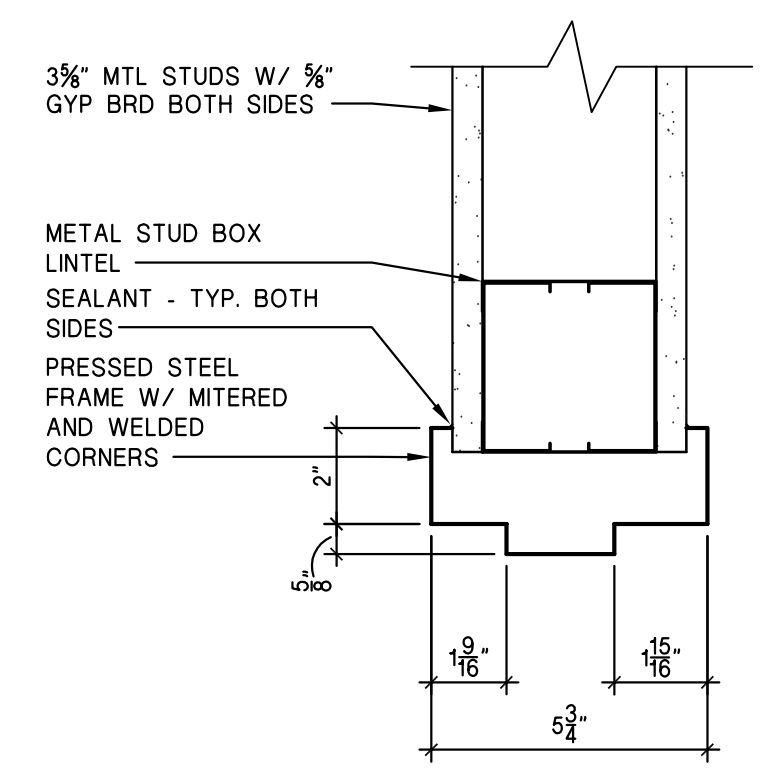
We acknowledge receipt of Addendum No.2, comprising reference to the following:

Addendum No. 1

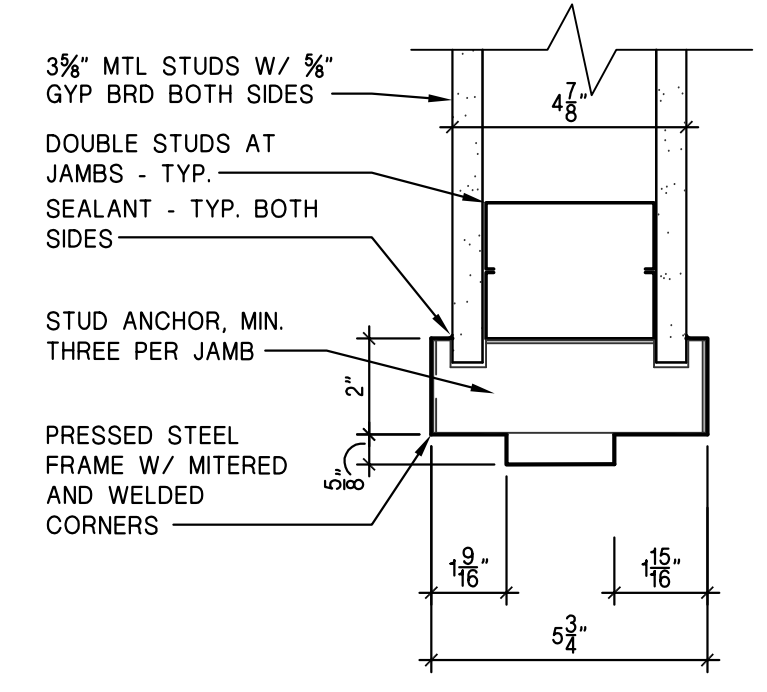
ITEM 4 Sheet A 5.1

Signed \_\_\_\_\_  
(Contractor)

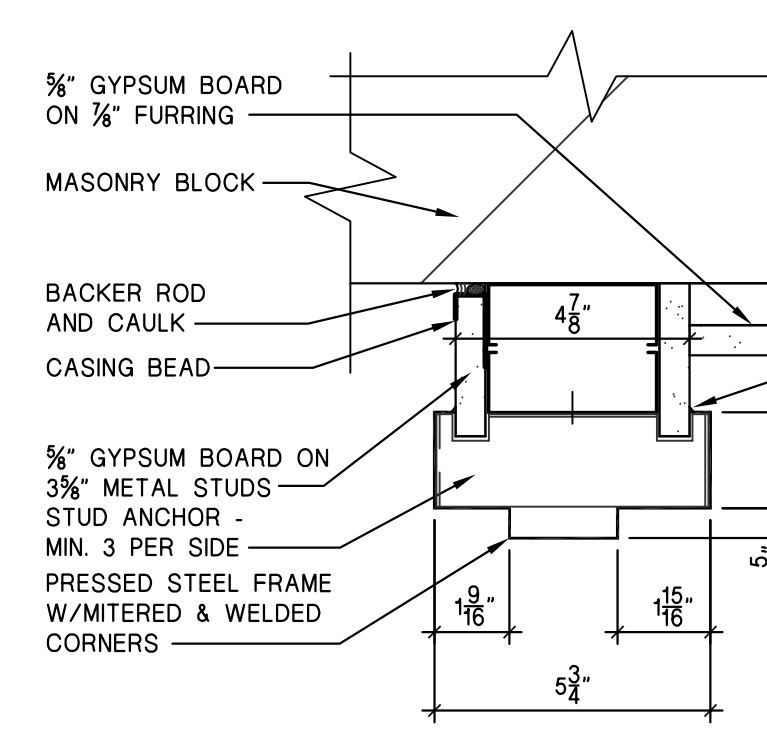
Date: \_\_\_\_\_



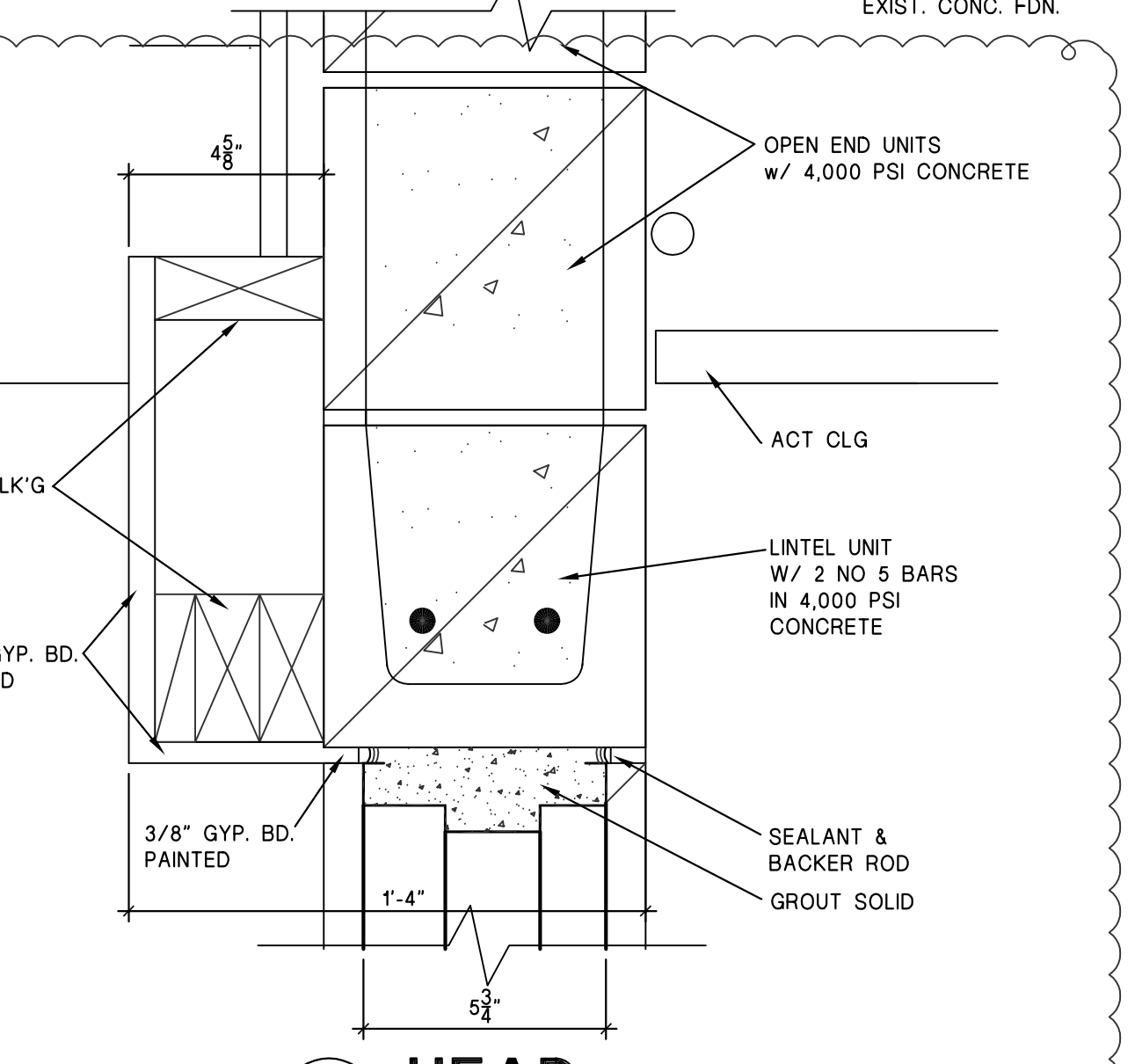
**1 HEAD**  
SCALE: 3" = 1'-0"



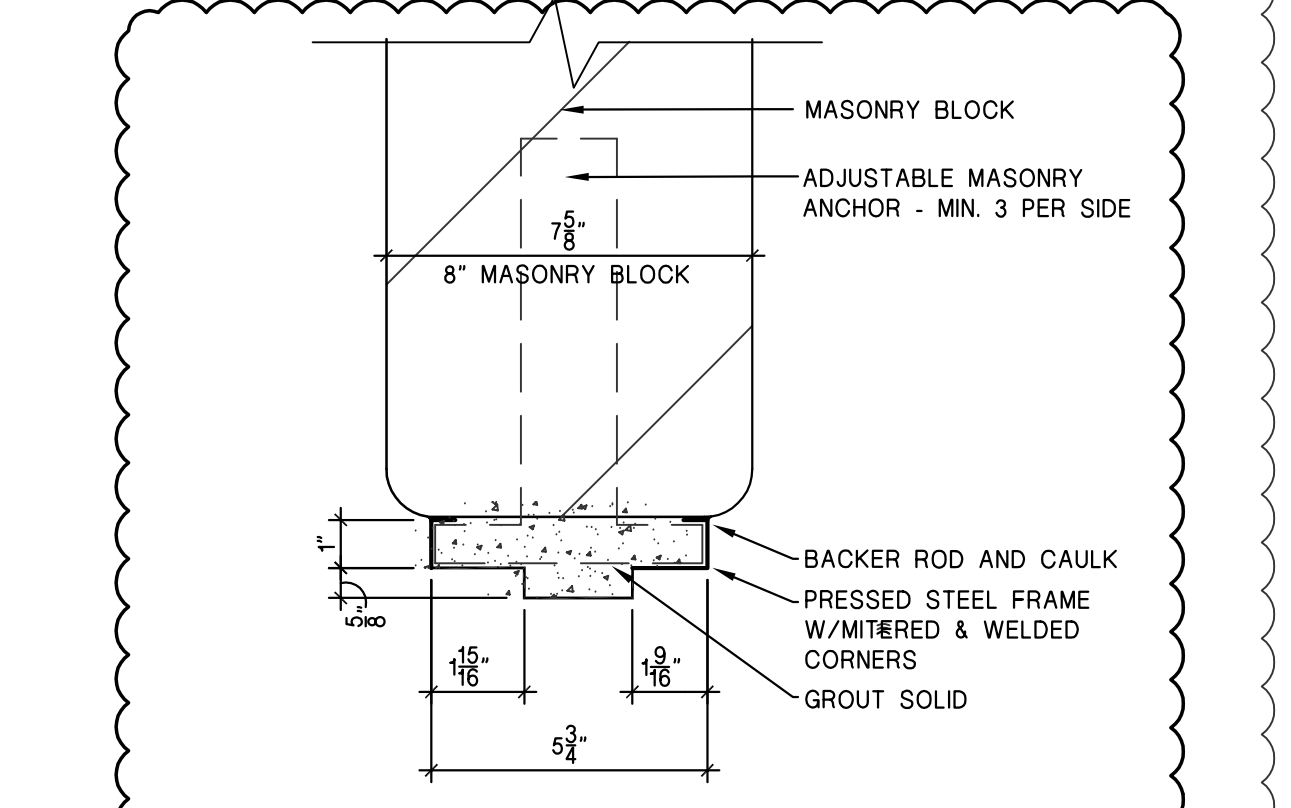
**2 JAMB**  
SCALE: 3" = 1'-0"



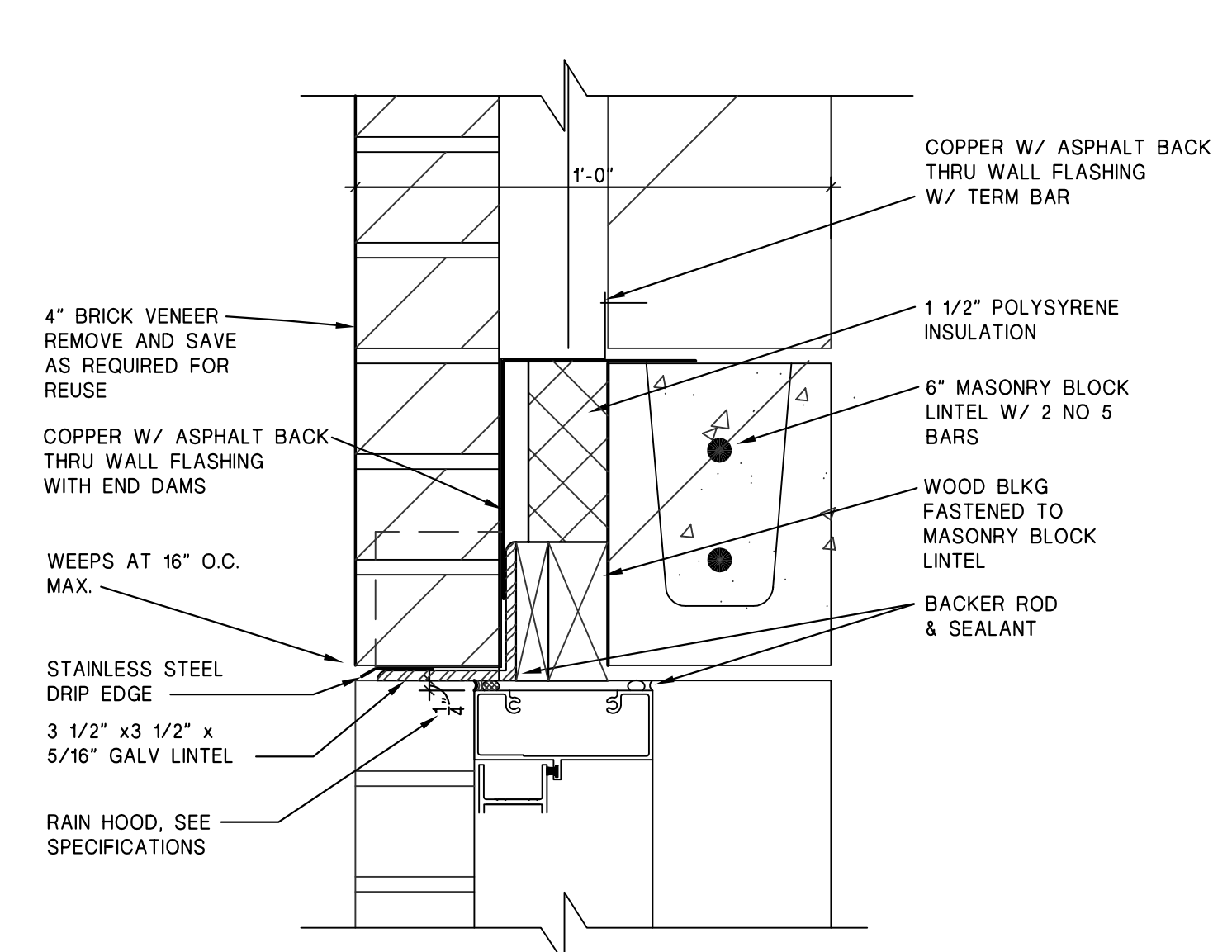
**3 JAMB**  
SCALE: 3" = 1'-0"



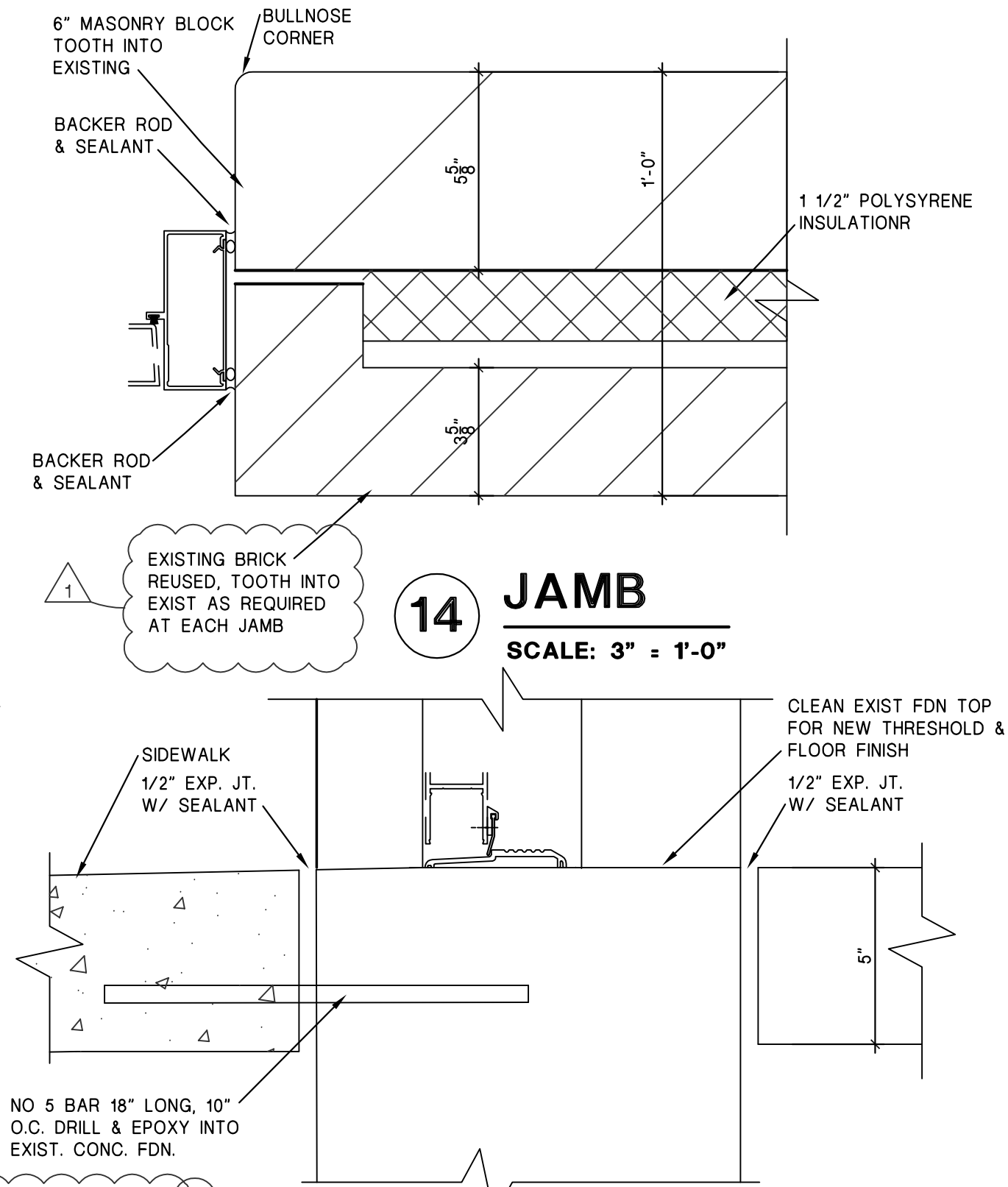
**4 HEAD**  
SCALE: 3" = 1'-0"



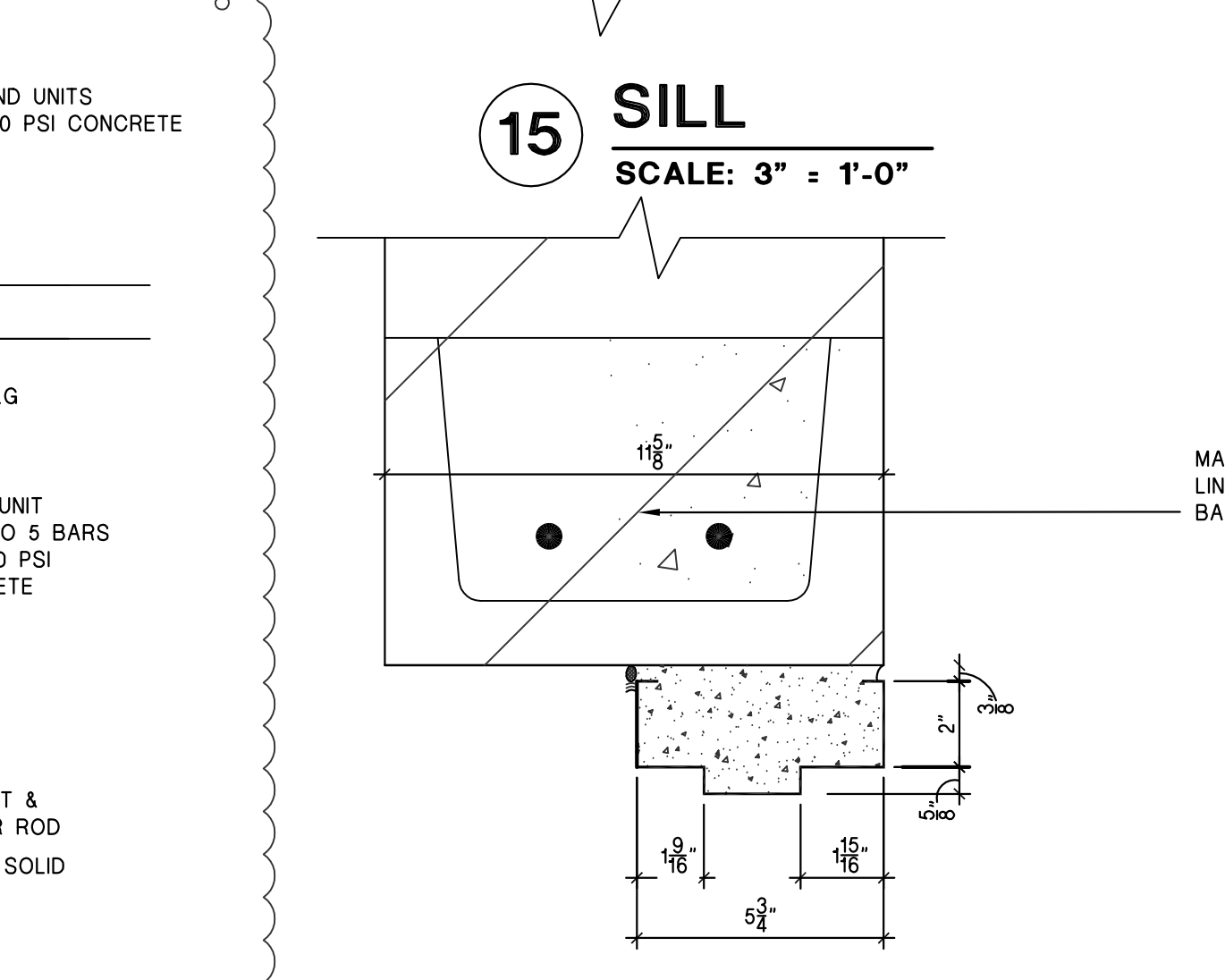
**5 JAMB**  
SCALE: 3" = 1'-0"



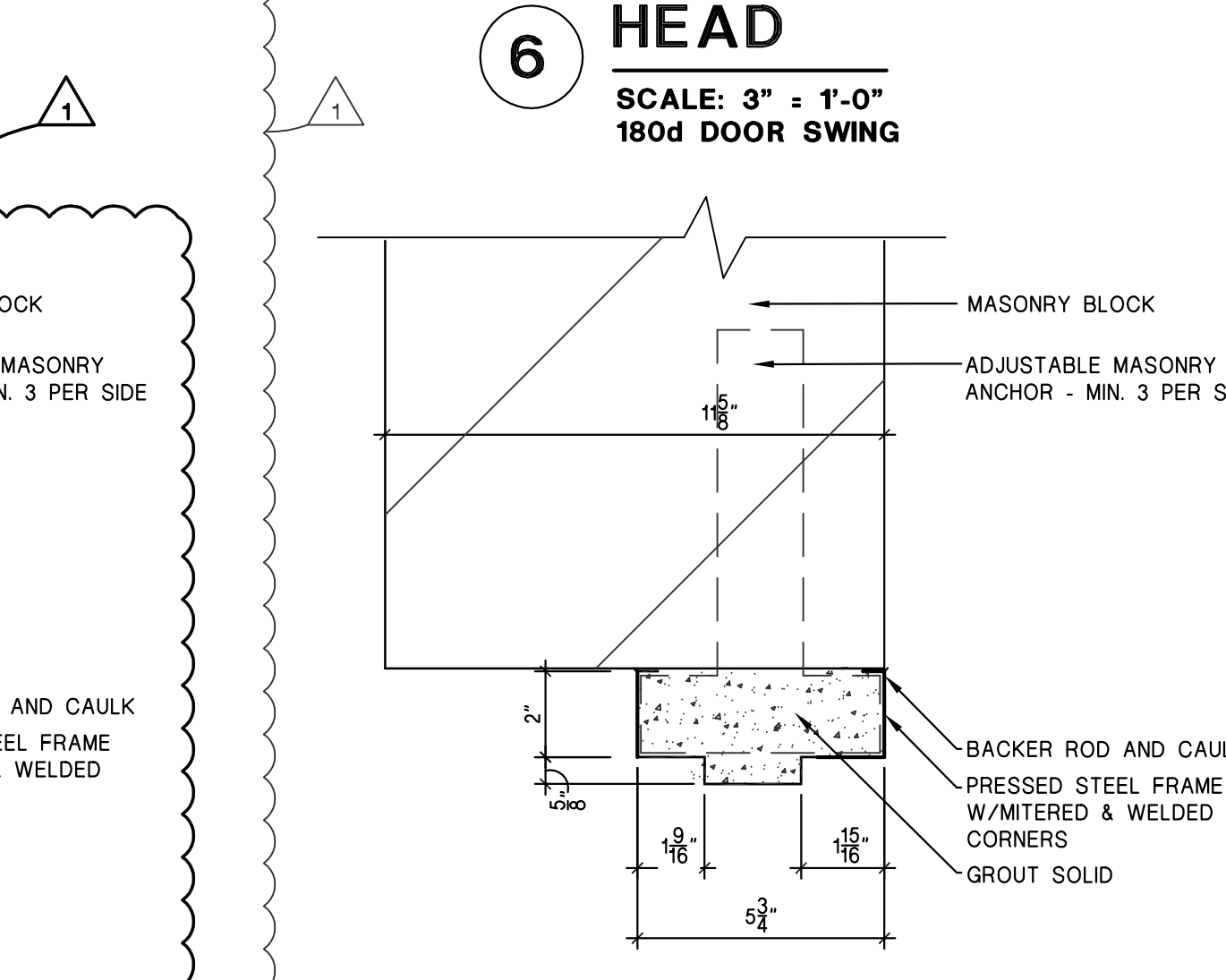
**13 HEAD**  
SCALE: 3" = 1'-0"



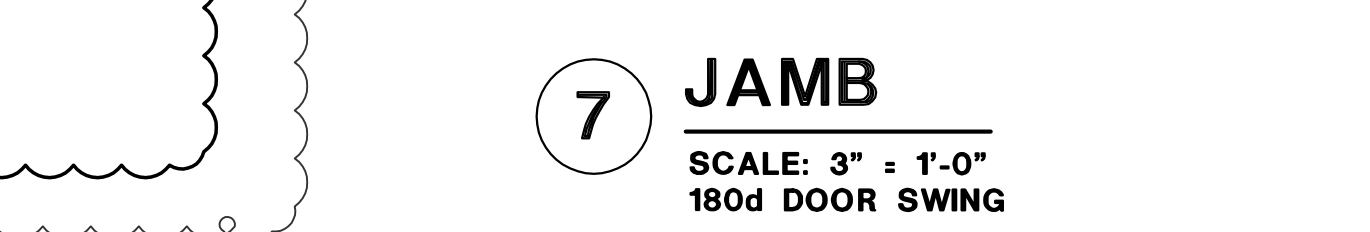
**14 JAMB**  
SCALE: 3" = 1'-0"



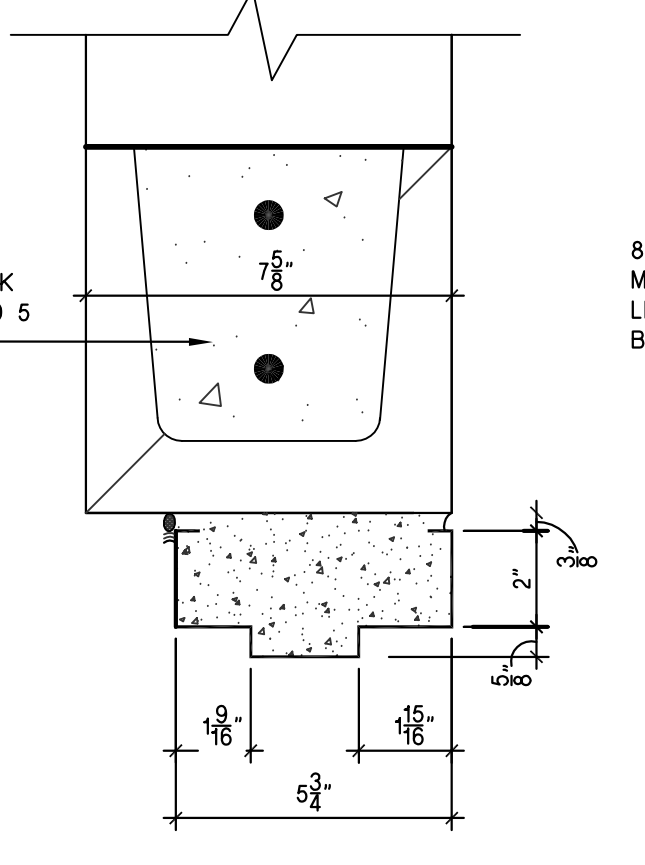
**15 SILL**  
SCALE: 3" = 1'-0"



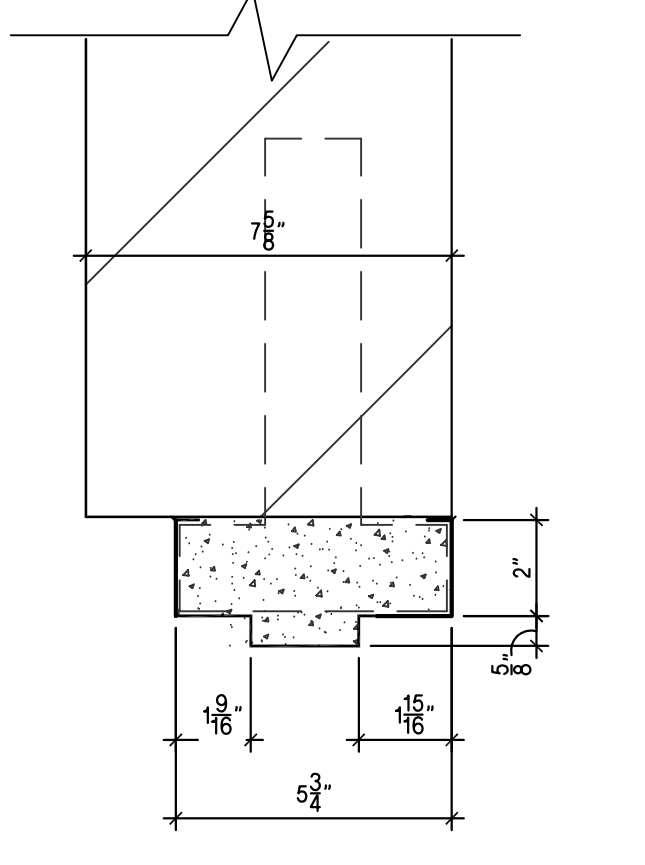
**6 HEAD**  
SCALE: 3" = 1'-0"  
180d DOOR SWING



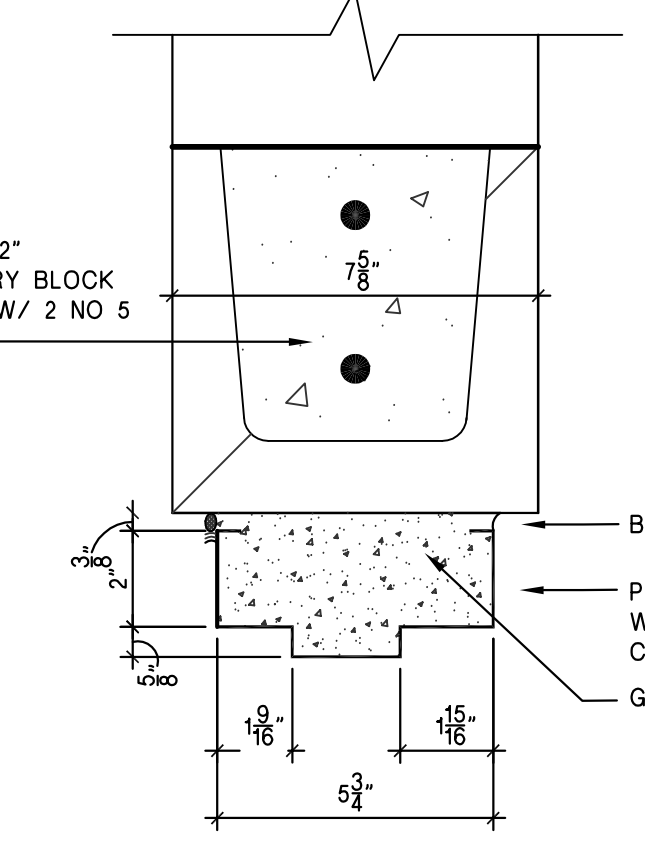
**7 JAMB**  
SCALE: 3" = 1'-0"  
180d DOOR SWING



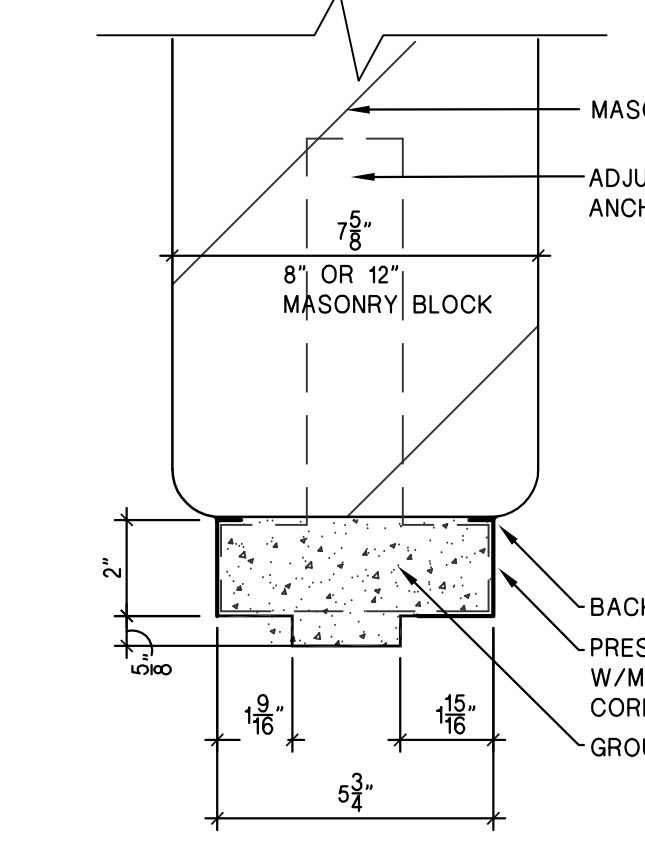
**8 HEAD**  
SCALE: 3" = 1'-0"  
180d DOOR SWING



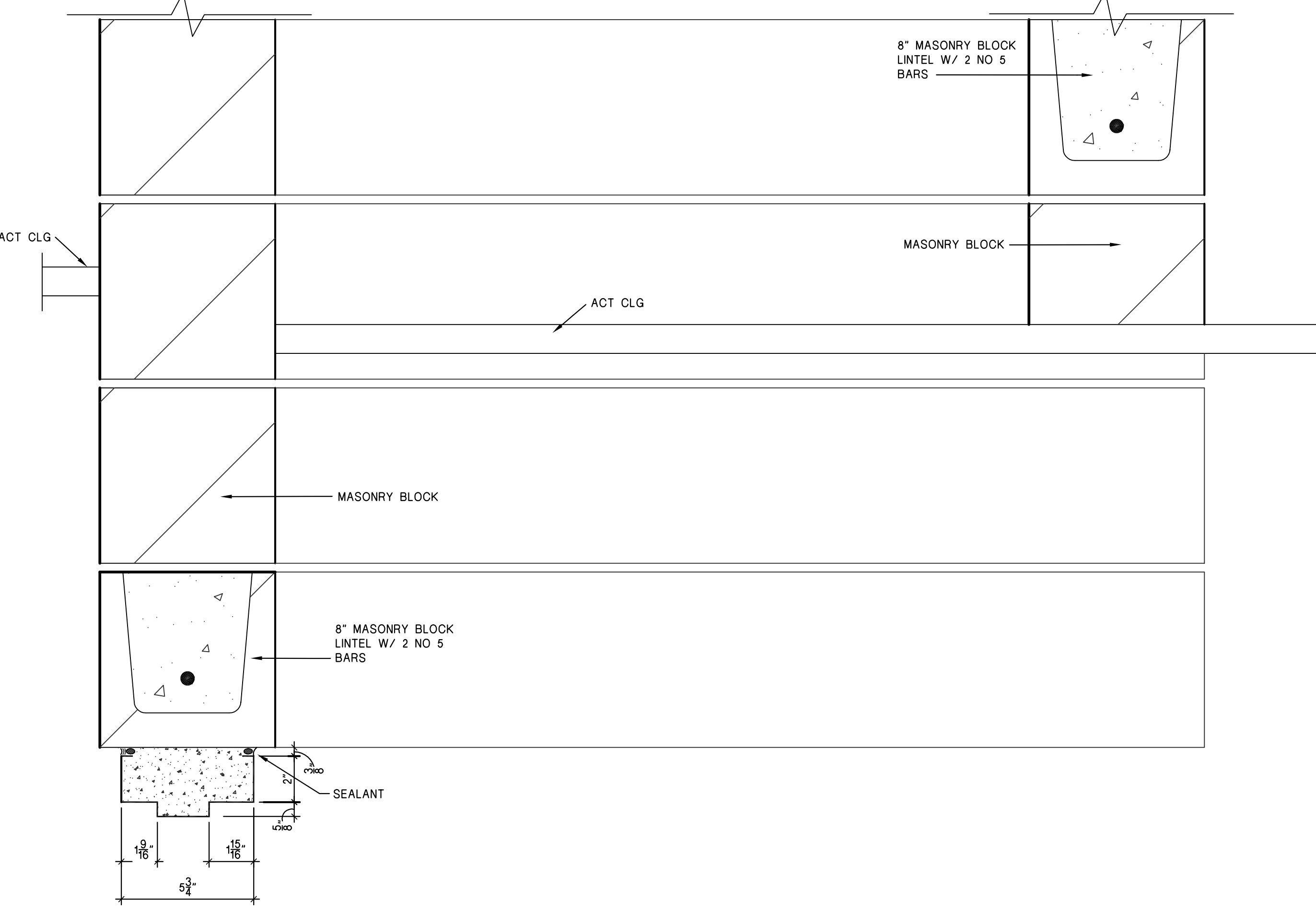
**9 JAMB**  
SCALE: 3" = 1'-0"  
180d DOOR SWING



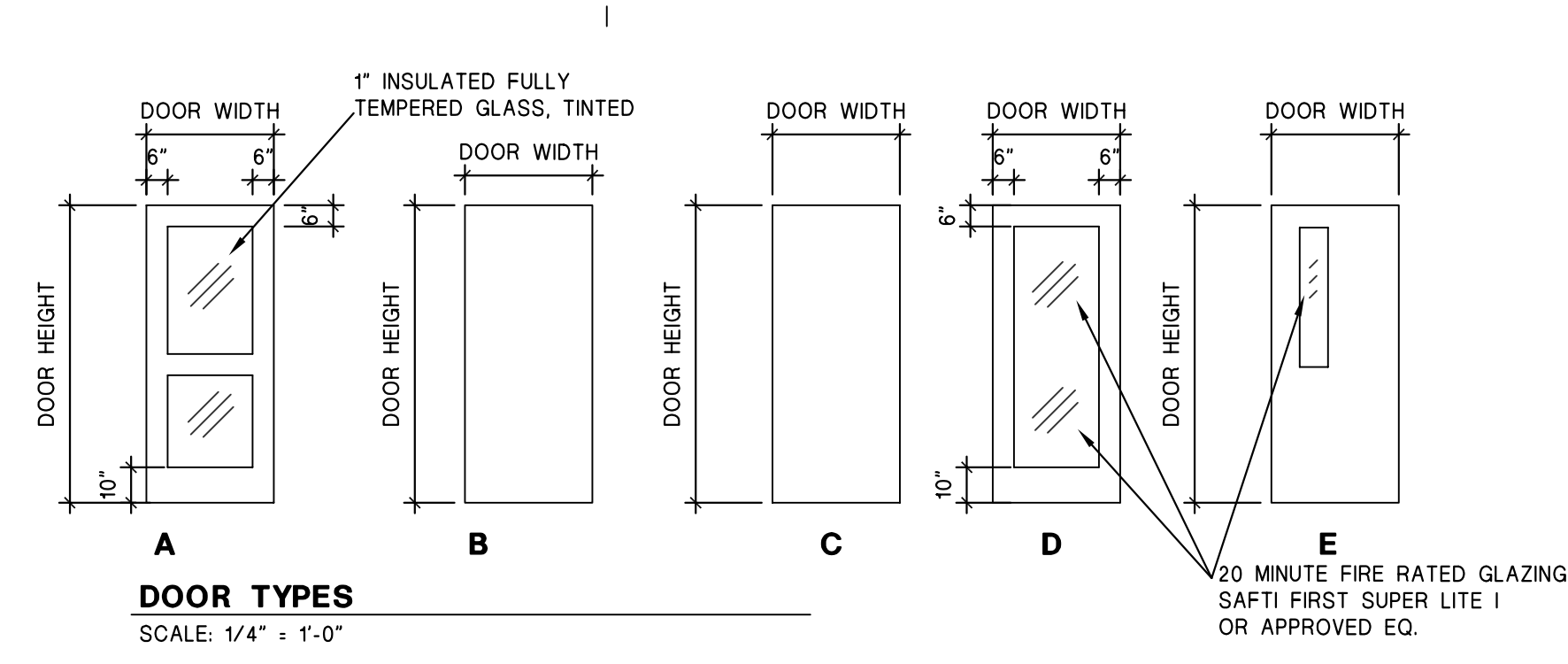
**10 HEAD**  
SCALE: 3" = 1'-0"  
180d DOOR SWING



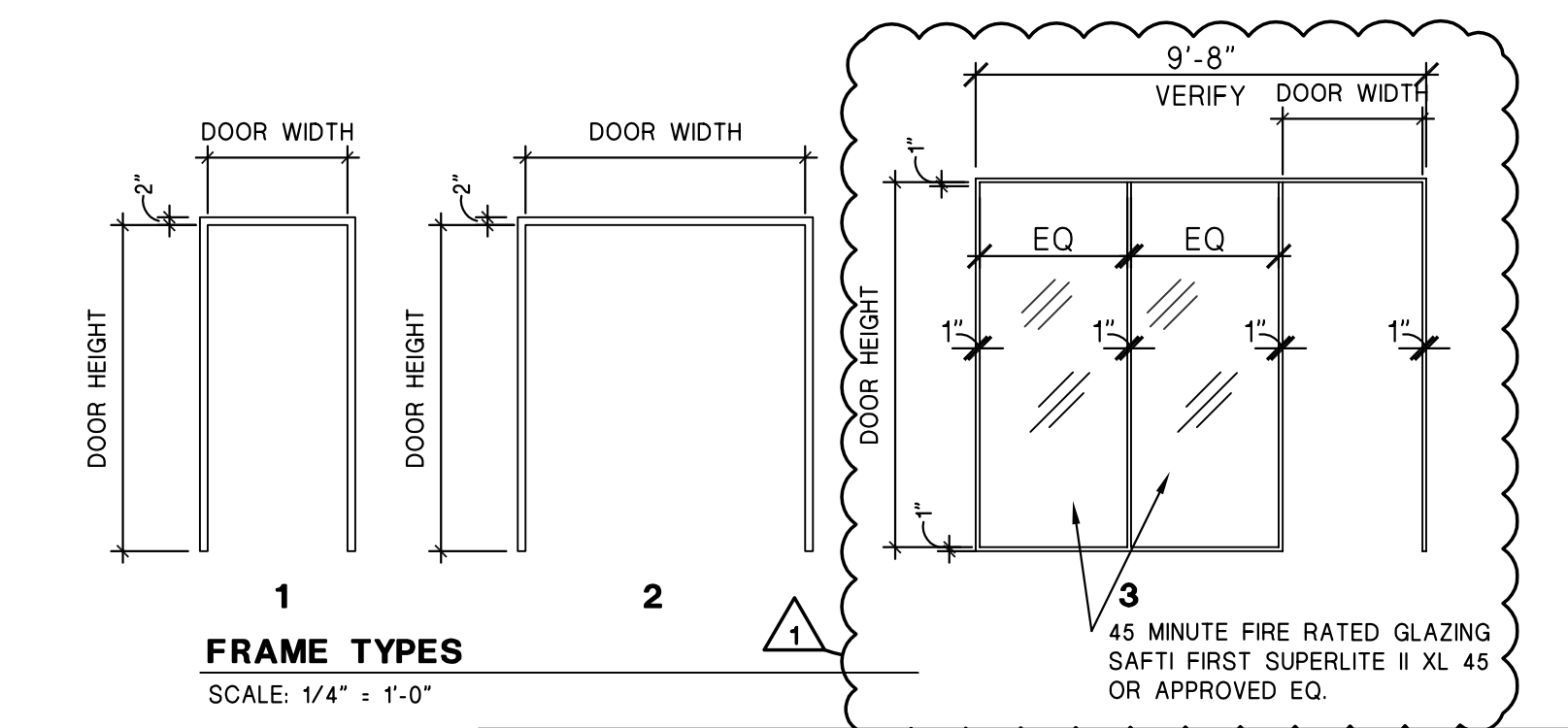
**11 JAMB**  
SCALE: 3" = 1'-0"  
180d DOOR SWING



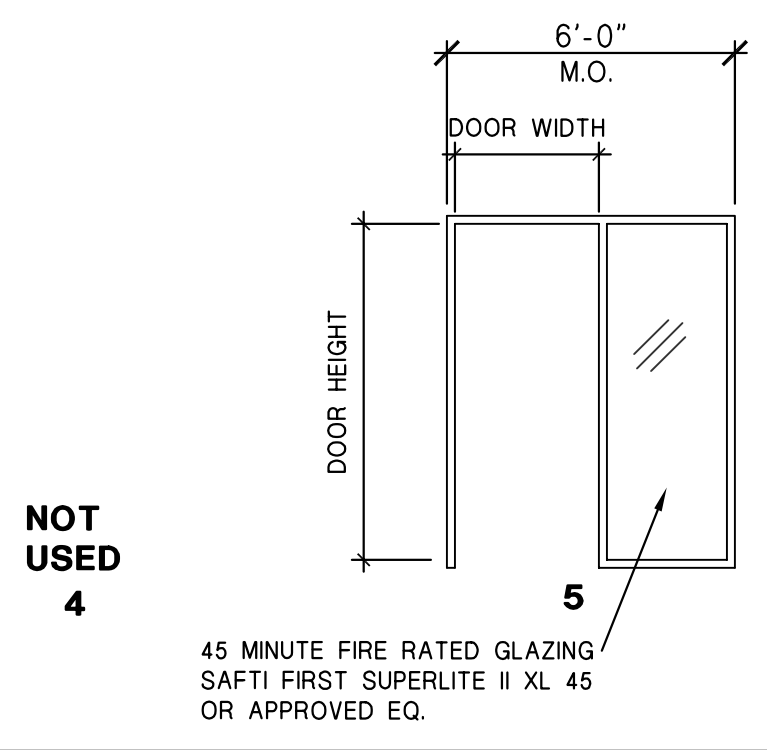
**12 HEAD**  
SCALE: 3" = 1'-0"  
180d DOOR SWING



**DOOR TYPES**  
SCALE: 1/4" = 1'-0"



**FRAME TYPES**  
SCALE: 1/4" = 1'-0"



**NOT USED**  
45 MINUTE FIRE RATED GLAZING  
SAFTI FIRST SUPERLITE II XL 45  
OR APPROVED EQ.

DOOR SCHEDULE										
DOOR No.	DOOR SIZE	DOOR				FRAME				REMARKS
		TYPE	MAT.	THICK	TYPE	MAT.	DETAIL	LABEL	HDWR SET	
EX-1	EXIST. DOOR									PAIN EXIST. DOOR & FRAME
EX-2	EXIST. WINDOW									PAIN EXIST. WINDOW FRAME
102A	3'-0" X 7'-2"	C	SCW	1-3/4	1	HM	10,11	YES	8	20 MIN RATED DOOR & FRAME
103A	NOTE 1 3'-0" X 6'-8"	C	SCW	1-3/4	1	HM	8, EX-HD	YES	8	20 MIN RATED DOOR & FRAME
104A	3'-0" X 7'-11"	D	HM	1-3/4	3	HM	4,5	YES	1	20 MIN RATED DOOR & 45 MIN RATED FRAME
105A	2) 3'-0" X 7'-2"	D	HM	1-3/4	2	HM	1,3	YES	3	20 MIN RATED DOOR & FRAME
106A	2) 3'-0" X 7'-2"	D	HM	1-3/4	2	HM	1,3	YES	4	20 MIN RATED DOOR & FRAME
109A	2) 3'-0" X 7'-2"	D	HM	1-3/4	2	HM	1,3	YES	5	20 MIN RATED DOOR & FRAME
110A	NOTE 1 3'-0" X 7'-2"	C	HM	1-3/4	1	HM	8,9	YES	6	20 MIN RATED DOOR & 45 MIN RATED FRAME
111A	3'-0" X 7'-2"	D	HM	1-3/4	5	HM	9,12	YES	11	20 MIN RATED DOOR & 45 MIN RATED FRAME
112A	3'-0" X 7'-2"	A	ALUM	1-3/4	1	ALUM	13,14,15		2	
113A	3'-0" X 7'-2"	A	ALUM	1-3/4	1	ALUM	13,14,15		2	
114A	2) 3'-0" X 7'-2"	D	HM	1-3/4	2	HM	1,3	YES	5	20 MIN RATED DOOR & FRAME
115A	3'-0" X 7'-2"	E	SCW	1-3/4	1	HM	6,7	YES	7	20 MIN RATED DOOR & FRAME
117A	NOTE 1 3'-6" X 7'-2"	C	SCW	1-3/4	1	HM	6,7	YES	10	20 MIN RATED DOOR & FRAME

NOTE 1: SET HM FRAME IN CMU WALL FOR 180 DEGREE DOOR SWING

**ENTIRE SHEET REISSUED**