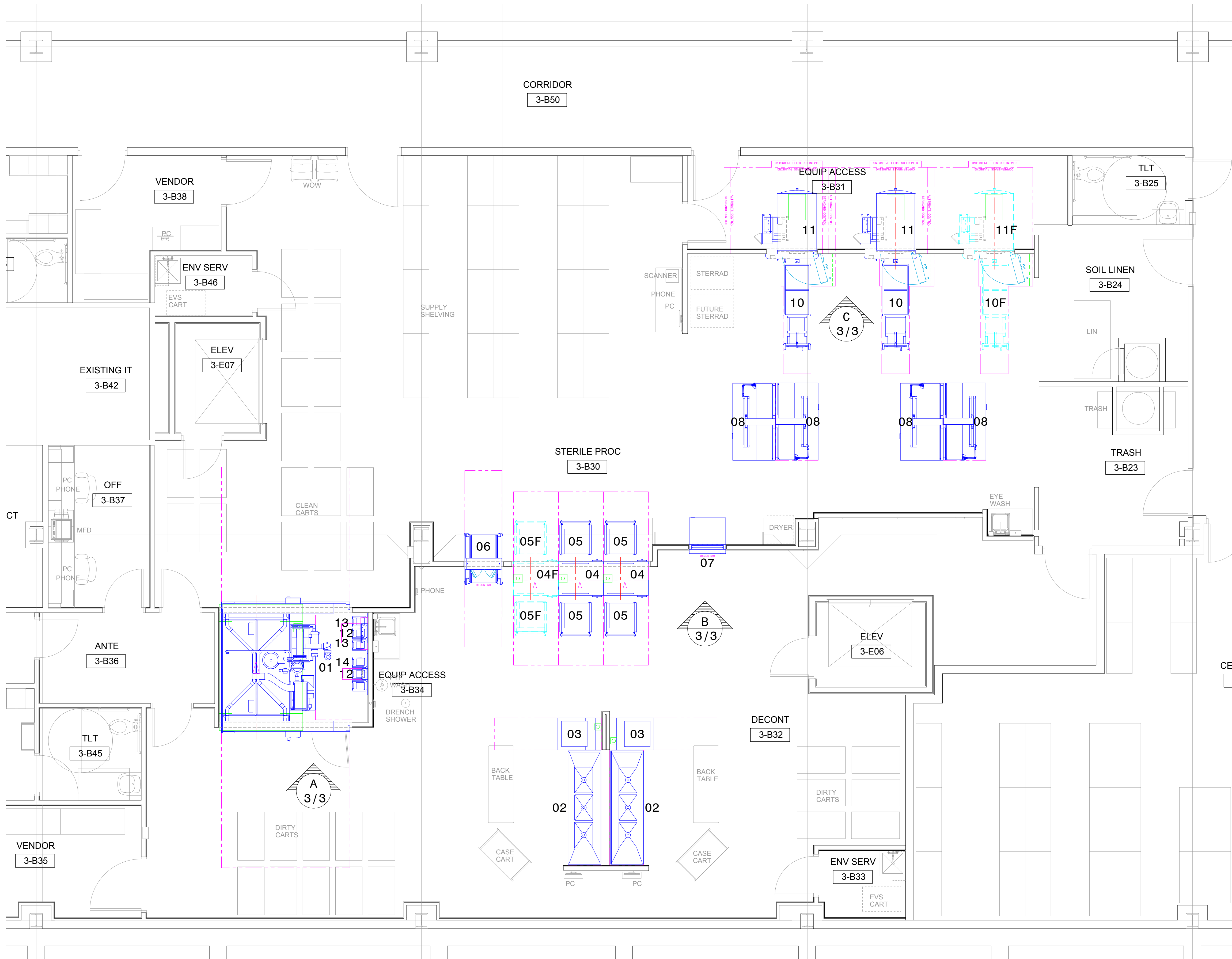


REVISION SCHEDULE		
REVISION #	DESCRIPTION	PLANNER/DATE
1	MOVE SINKS AND SONIC, ADD DETAILS	JM/24JAN2017
2	NEW ARCHITECTURAL BACKGROUND, LAYOUT MODIFIED	AL/13JUL2017
3	NEW ARCHITECTURAL BACKGROUND; REMOVED ITEMS 09 & 09F; ADDED ITEMS: 11, 11F, 12, 13 & 14	LL/15SEP2017



EQUIPMENT LIST

TAG	QTY	DESCRIPTION
01	1	Vision 1327 Cart and Utensil Washer/Disinfector - Standard Orientation/Double Door/Pit Mounted/Steam Heat/103" Reduced Service Clearance Height (SSQ H2176 Required - See Dwg. No. 920-519-492)
02	2	STERIS Height Adjustable Reprocessing Sink - 3 Bay/106" Long (Requires 120 Volt/10Amp GFCI Protected Outlet)
03	2	Caviwave 15-W Ultrasonic Cleaner - 15 Gallon
04	2	Reliance Vision Single-Chamber Washer/Disinfector - Double Door/Steam Heat/Vented/Flush Mounted
04F	1	Future Reliance Vision Single-Chamber Washer/Disinfector - Double Door/Steam Heat/Vented/Flush Mounted
05	4	Reliance Transfer Cart
05F	2	Future Reliance Transfer Cart
06	1	Reliance Rack Return
07	1	STERIS Automated Pass-Through Window - Endoscopy Application (34x45" Window)
08	4	Amsco Deluxe Prep and Pack Workstation - 36x72"/Electric Height Adjustable
10	2	Amsco Evolution Loading Car and Transfer Carriage - 54" (1372mm)
10F	1	Future Amsco Evolution Loading Car and Transfer Carriage - 54" (1372mm)
11	2	Amsco Evolution Medium Steam Sterilizer - 26x37.5x54" (660x953x1372mm) (864L)/Single Right Hinged Door/Recessed/Steam Heat
11F	1	Future Amsco Evolution Medium Steam Sterilizer - 26x37.5x54" (660x953x1372mm) (864L)/Single Right Hinged Door/Recessed/Steam Heat
12	2	Acu-Hold System - Wall Mounted/3 Container
13	2	STERIS Dosing System - Vision Single-Chamber (Included with Washer/Power supplied by Washer)
14	1	STERIS Dosing System - 3 Pumps (Included with Washer/Power supplied by Washer)

FOR EACH WASHER, A 2" I.D. CONDUIT RECOMMENDED FROM DETERGENT PUMP LOCATION(S) TO WASHER LOCATION(S) - NOT PROVIDED BY STERIS

FOR CART WASHER, A 3" I.D. CONDUIT RECOMMENDED FROM DETERGENT PUMP LOCATION TO WASHER LOCATION - NOT PROVIDED BY STERIS

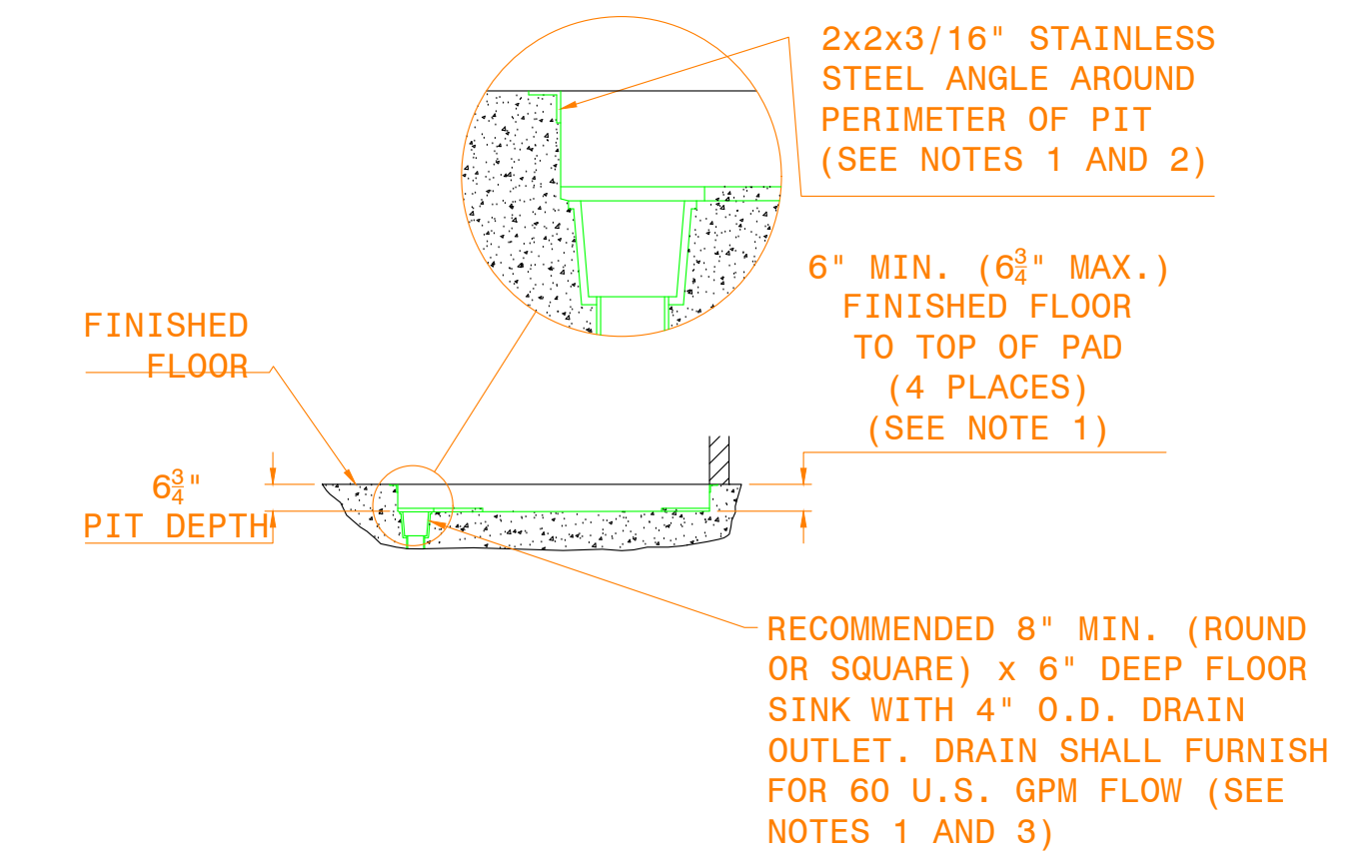
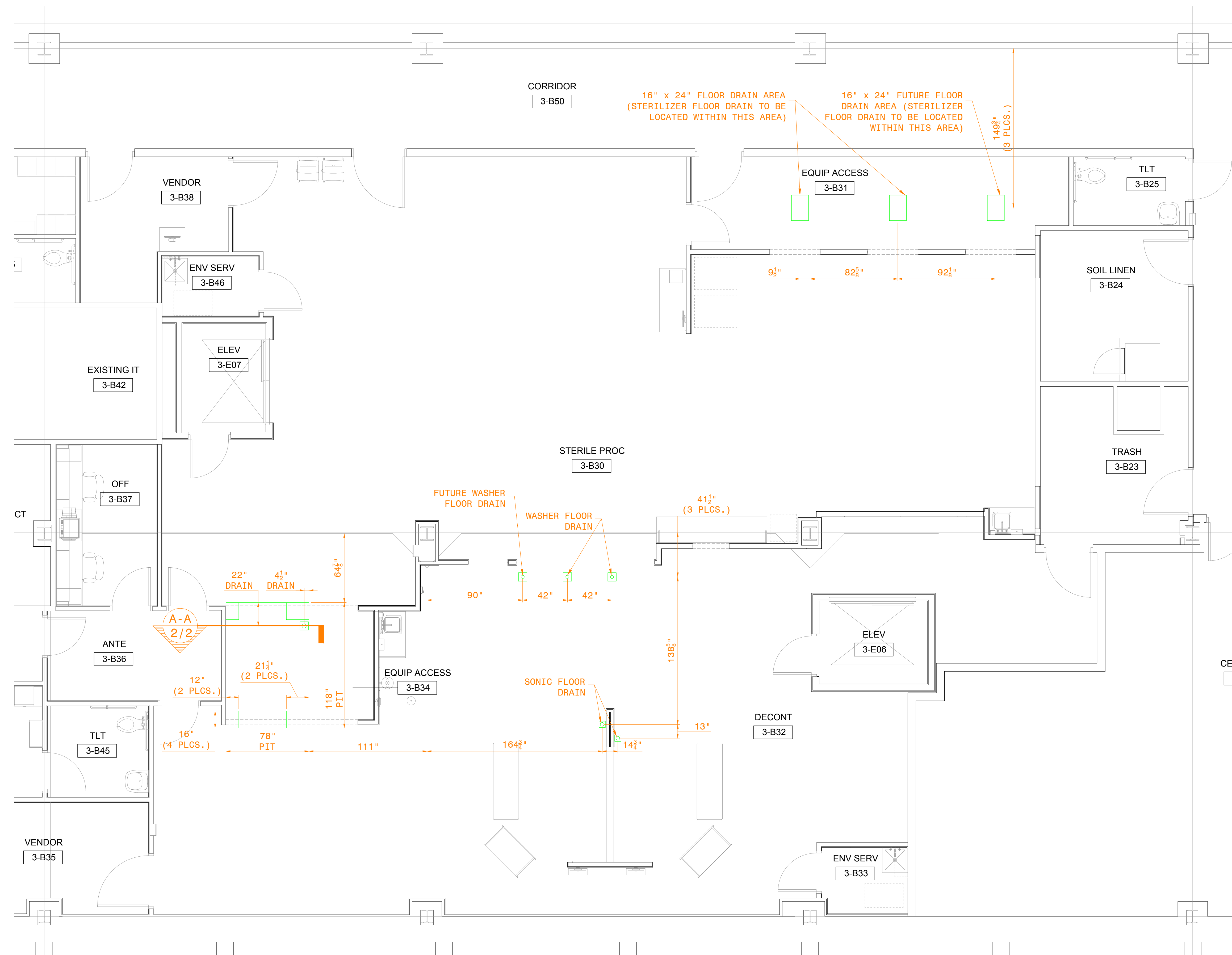
GOOD SAMARITAN NORTH HEALTH CENTER
DAYTON, OHIO

PARTIAL FLOOR PLAN
STERILE PROCESSING DEPARTMENT
PROPOSED EQUIPMENT LAYOUT

<p>STERIS® Planning & Design Group STERIS Corporation 5960 Heisley Road Mansfield, OH 44903 USA 800-548-4873</p>	Dr. JM	H-5499
	GK TLL	D-3R3
	Date 14DEC2016	
	Scale 1/4" = 1'-0"	PAGE 1 OF 3

REVISION SCHEDULE

REVISION #	DESCRIPTION	PLANNER/DATE
1	MOVE SINKS AND SONIC, ADD DETAILS	JM/24JAN2017
2	NEW ARCHITECTURAL BACKGROUND, LAYOUT MODIFIED	AL/13JUL2017
3	NEW ARCHITECTURAL BACKGROUND; REMOVED ITEMS 09 & 09F; ADDED ITEMS: 11, 11F, 12, 13 & 14	LL/15SEP2017



A-A SECTION VIEW - 1327 PIT DETAILS
2/2

NOTE:

- ALL MATERIAL (INCLUDING CONCRETE, CORNER LEVELING PADS, STAINLESS STEEL ANGLES, FLOOR SINK) AND LABOR FOR CONSTRUCTION OF PIT TO BE BY OTHERS THAN STERIS.
- STAINLESS STEEL ANGLES ARE RECOMMENDED BY STERIS. TO BE SUPPLIED AND INSTALLED BY OTHERS THAN STERIS.
- SLOPE PIT TO DRAIN (1 DEGREE).

GOOD SAMARITAN NORTH HEALTH CENTER

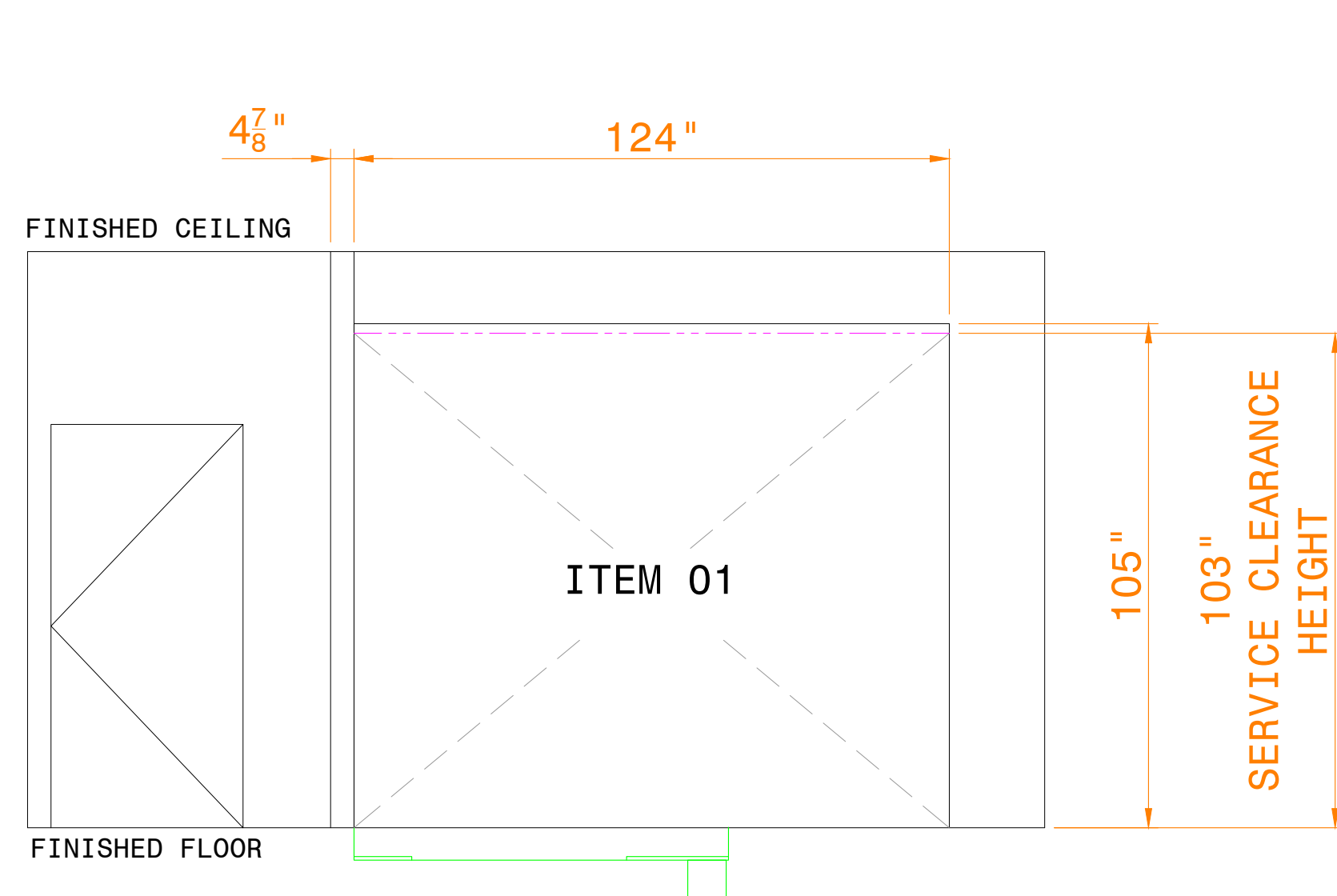
DAYTON, OHIO

PARTIAL FLOOR PLAN
STERILE PROCESSING DEPARTMENT
PIT AND DRAIN DETAILS

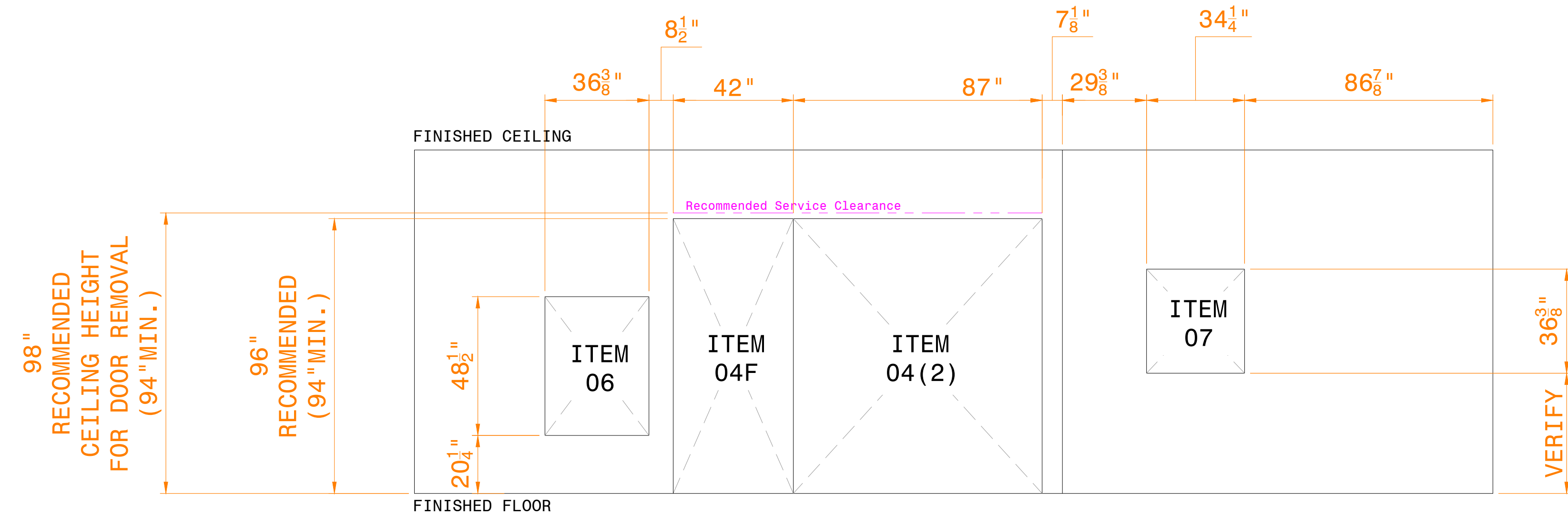


Dr	JM	H-5499
GK	TLL	D-3R3
Date	14DEC2016	
Scale	1/4" = 1'-0"	PAGE 2 OF 3

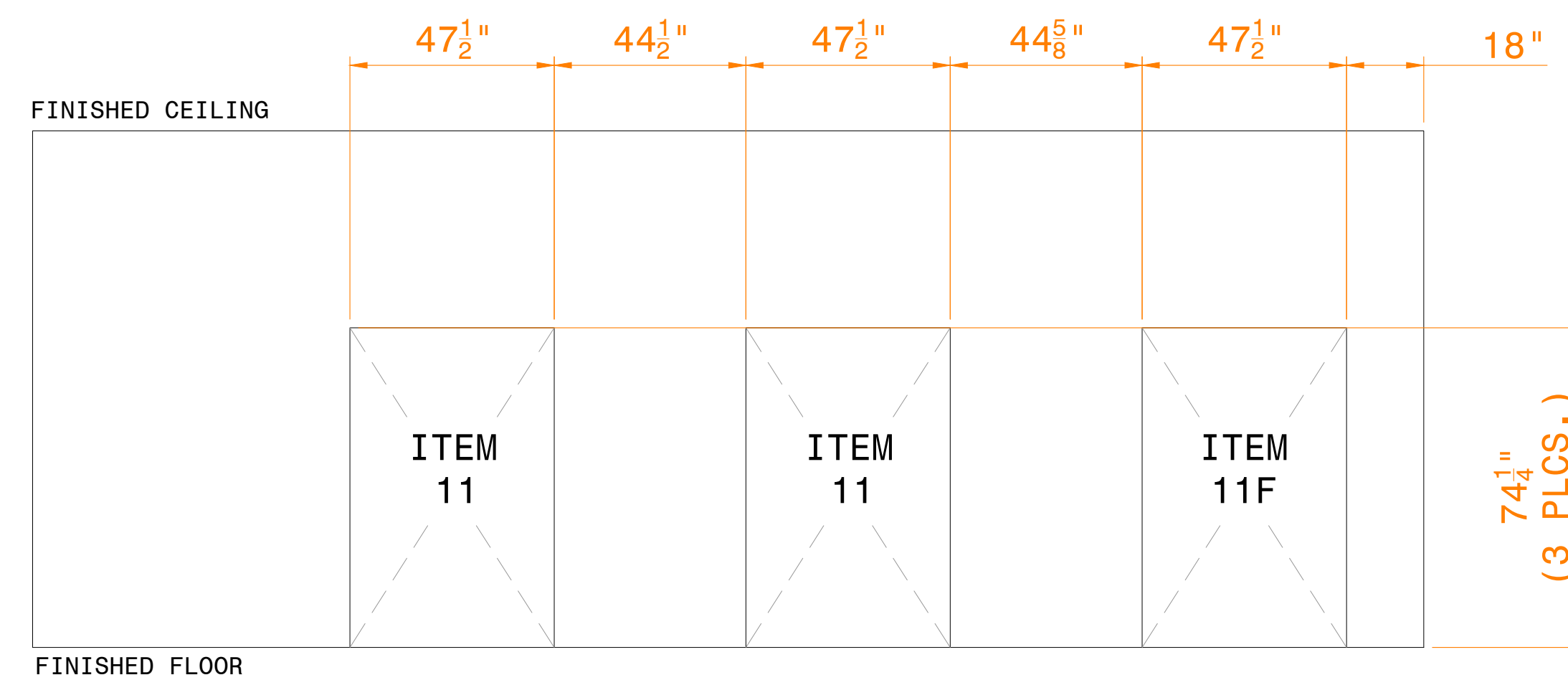
REVISION SCHEDULE		
REVISION #	DESCRIPTION	PLANNER/DATE
1	MOVE SINKS AND SONIC, ADD DETAILS	JM/24JAN2017
2	NEW ARCHITECTURAL BACKGROUND, LAYOUT MODIFIED	AL/13JUL2017
3	NEW ARCHITECTURAL BACKGROUND; REMOVED ITEMS 09 & 09F; ADDED ITEMS: 11, 11F, 12, 13 & 14	LL/15SEP2017



A FINISHED WALL OPENING ELEVATION AT CART WASHER
LOAD END SHOWN (UNLOAD END TYPICAL)



B FINISHED WALL OPENING ELEVATION AT WASHERS - LOAD END



C FINISHED WALL OPENING ELEVATION AT STERILIZERS

GOOD SAMARITAN NORTH HEALTH CENTER		
DAYTON, OHIO		
PARTIAL FLOOR PLAN STERILE PROCESSING DEPARTMENT F.W.O. ELEVATIONS		
 STERIS Corporation 5960 Heisley Road Mentor, OH 44860 USA 800-548-4873	Dr. JM	H-5499
	Ck. TLL	D-3R3
	Date 14DEC2016	
	Scale 3/8" = 1'-0"	PAGE 3 OF 3